

NORTH AMERICAN HVAC PRODUCTS LTD

Tel: 604-4308496 Fax: 1-866-9034371 www.northamericanhvac.com

Submittal Data: **MS11D-18HRDN1-MN10W**

DC inverter SEER 15 18,000 Btu/h Wall Mounted Ductless Heat Pump System

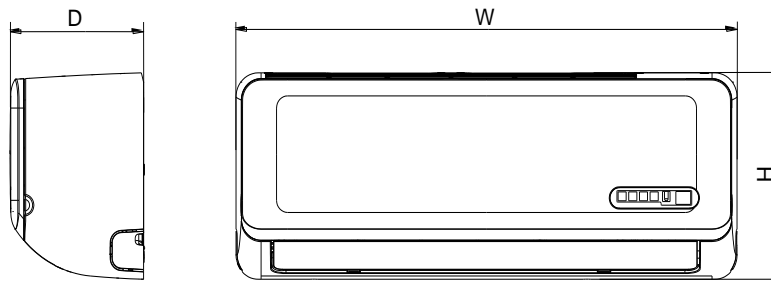
Job Name: _____ Location: _____ Date: _____

Purchaser: _____ Engineer: _____

Submitted To: _____ For: _____ Review() Approval ()

DIMENSION:

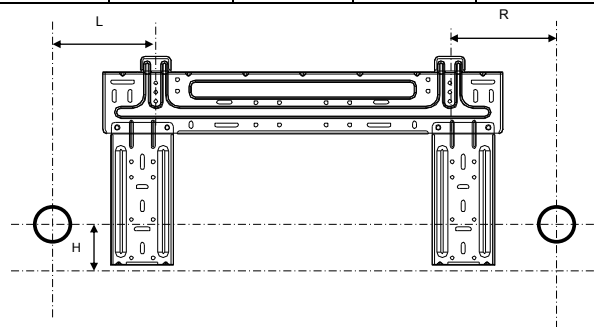
Indoor Model No. MS11D-18HRDN1-MN10W



Indoor Model	Wide	Height	Deep
MS11D-18HRDN1-MN10W	35 ⁵ / ₈ "	10 ⁷ / ₈ "	7 ⁷ / ₈ "

Mounting plate dimension:

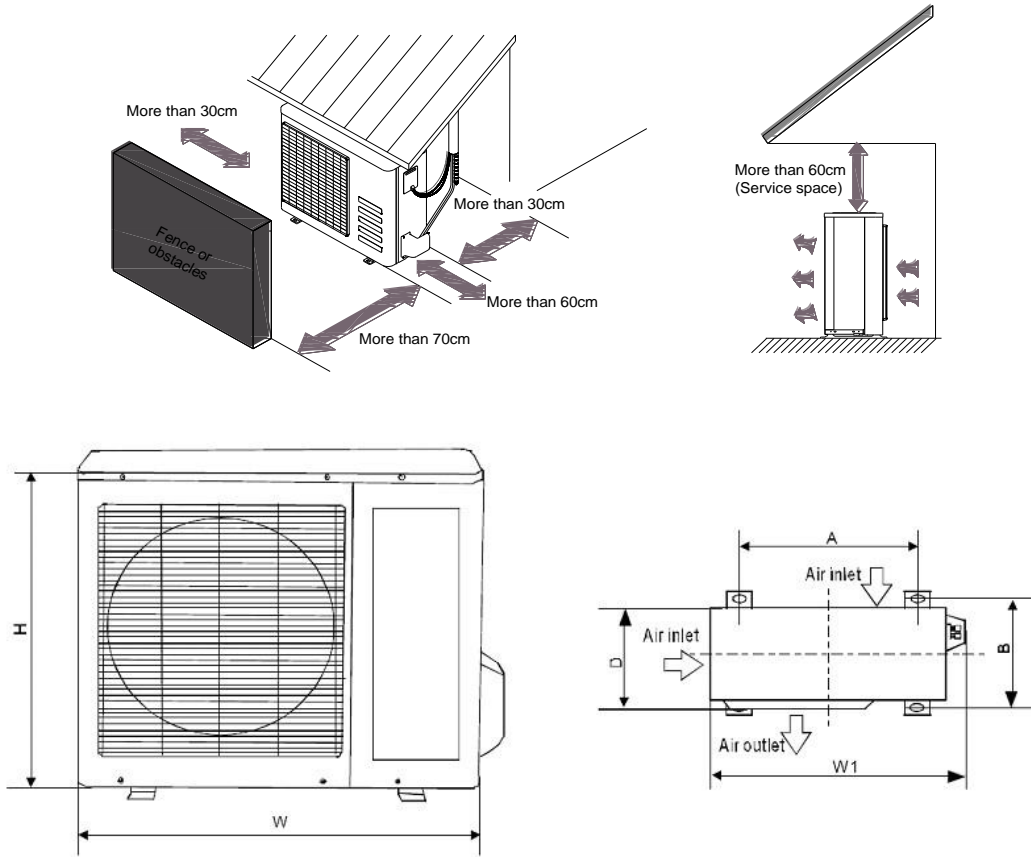
Model	R(inch)	L(inch)	H(inch)	Dimension of installation hole(inch)
MS11D-18HRDN1-MN5W	3.15	3.94	1.77	∅ 2.56



NORTH AMERICAN HVAC PRODUCTS LTD

Tel: 604-4308496 Fax: 1-866-9034371 www.northamericanhvac.com

Outdoor Units



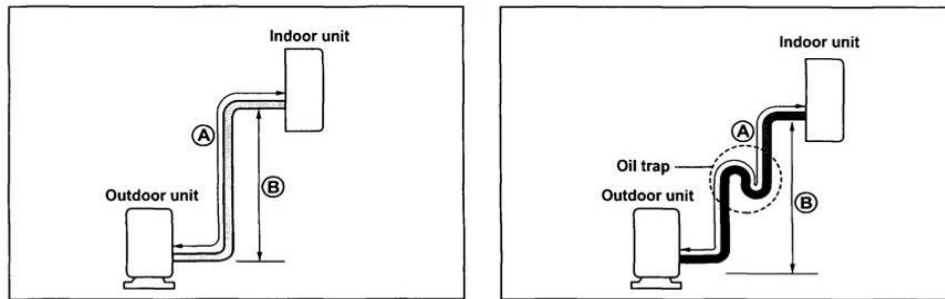
Outdoor Model	W	H	D	W1	A	B
MS11D-18HRDN1-MN5W	29.92"	11.22"	23.22"	32.40"	20.86"	11.41"

The pipe length and refrigerant amount:

Model	Pipe size		Standard length (ft)	Max. Elevation B (ft)	Max. Length A (ft)	Additional refrigerant (g/m)
	Gas	Liquid				
MS11D-18HRDN1-MN5W	5/8" (Φ15.9)	3/8" (Φ9.52)	15	30	80	40

NORTH AMERICAN HVAC PRODUCTS LTD

Tel: 604-4308496 Fax: 1-866-9034371 www.northamericanhvac.com



The oil trap should be installed per 15-21 feet.

OPERATION CHARACTERISTICS

Mode \ Temperature	Cooling operation	Heating operation	Drying operation
Room temperature	$\geq 17^{\circ}\text{C}$ (62°F)	$\leq 30^{\circ}\text{C}$ (86°F)	$> 10^{\circ}\text{C}$ (50°F)
Outdoor temperature	Factory build in low ambient kit	$-15^{\circ}\text{C} \sim 30^{\circ}\text{C}$ (5°F ~ 86°F)	$0^{\circ}\text{C} \sim 50^{\circ}\text{C}$ (32°F ~ 122°F)
	$-15^{\circ}\text{C} \sim 50^{\circ}\text{C}$ (5°F ~ 122°F) (For the models with low temperature cooling system)		

GENERAL SPECIFICATIONS

- *Power Supply : 208/230VAC 60Hz 1PH
- *SEER Rating: 15
- *HSPF: 8.2
- *Cooling Amps: 6.8 / Heating Amps: 7.0
- *Cooling Capacity: 22,000Btu/h *Heating Capacity: 22,000Btu/h
- *Breaker Size: 20A
- *Controls: Wireless remote control
- *Indoor Temperature Control Range: 62 °F - 86°F (17°C - 30°C)
- *Operating Temperature Ranges: Cooling $-15^{\circ}\text{C} \sim 50^{\circ}\text{C}$ (5°F ~ 122°F),
Heating $-15^{\circ}\text{C} \sim 30^{\circ}\text{C}$ (5°F ~ 86°F).
- *Indoor Noise Level: 39/45/49 dB(A)
- *Outdoor Noise Level: 60 dB(A)

NORTH AMERICAN HVAC PRODUCTS LTD

Tel: 604-4308496 Fax: 1-866-9034371 www.northamericanhvac.com

GENERAL FEATURES

- * Limited Warranty: 2 years on parts & 6 years on compressor
- * Eco-friendly R410a refrigerant with rotary TOSHIBA compressor
- * **NEW !** Refrigeration Leakage Detection
- * Ultra-Quiet Operation
- * Random swing , airflow direction control
- * Self-Diagnostics, LCD display
- * Auto restart operation
- * "Follow Me" remote controller (Option)
- * Washable filter
- * Local service parts stock in BC, Canada