



**Submittal Data: MCA2U-12HRFN1-M
DC inverter HEAT PUMP CEILING CASSESTE INDOOR UNIT.**

Job Name: _____ **Location:** _____ **Date:** _____
Purchaser: _____ **Engineer:** _____
Submitted To: _____ **For:** _____ **Review()** _____ **Approval ()** _____



**Ceiling Cassette Model No. MCA2U-12HRFN1-M
(WITH FRONT PANEL MODEL NO. T-MBQ4-03B4)**

COMPABILITY:

SINGLE ZONE OUTDOOR MODEL No. MOF-12HFN1-MS0W

FREE MATCH OUTDOOR MODELS:

M2OC-18HRDN1-M, M2OC-18HFN1-M (TWO ZONE OUTDOOR SYSTEM)

M3OD-27HRDN1-M (THREE ZONE OUTDOOR SYSTEM)

M4OC-36HRFN1-M (FOUR ZONE OUTDOOR SYSTEM)

Specifications

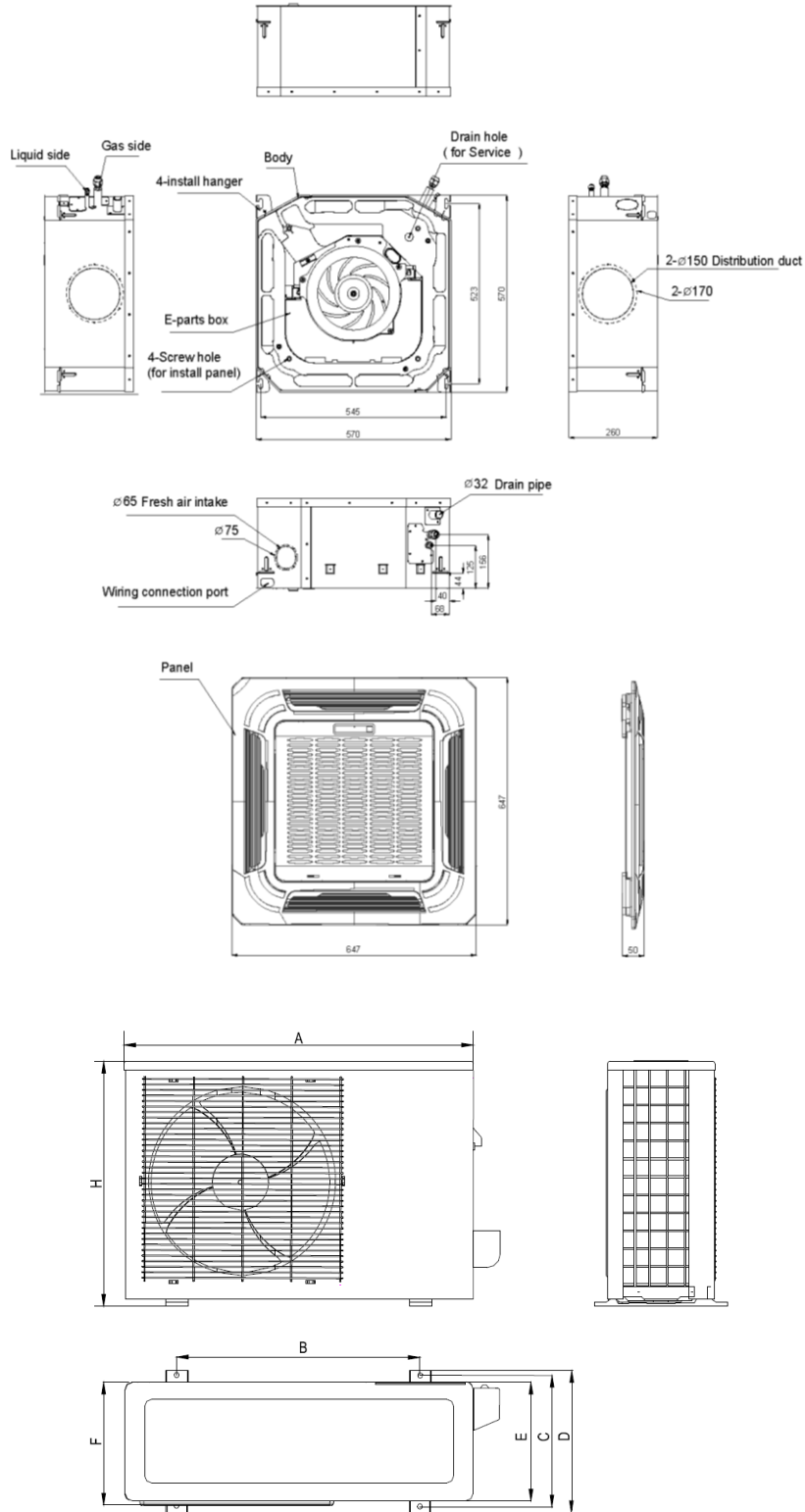
Performance	Cooling capacity (Btu/h)	12,000
	Input (W)	5310
	EER	9.30
	SEER	16.50
	Heating capacity (Btu/h)	12,400
	Input (W)	3660
	COP	9.60
Power	Voltage (V/Hz)	208-230 / 60/ 1 PHASE
	Indoor power supplied by condenser	
	Minimum circuit (Amps)	1.30
	Max.fuse (A)	15

Dimensions	W x H X D (inches) Indoor	22½ x 22½ x 10¼
	Fascia Panel	25½ x 25½ x 2
Weight	Indoor (lbs)	35
	Fascia Panel	5.5
Noise level	(Hi/Med/Lo) dB(A)	
	Indoor	51/46/40.5
Indoor air flow	m³/h	650/550/450
	CFM	380/320/260
Refrigerant	Type	R410a
Pipe Connections	Indoor and outdoor	High side: 1/4", low side: 1/2"
	Max. line set length feet	80
	Max. line set Elevation feet	30
	Oil trap	Yes
Drainage water pipe diameter	ODØ (mm)	ODØ25
Room Operation Temperature	Cooling (° F/ ° C)	(62-90)/ (17-32)
	Heating (° F/ ° C)	(32-86)/(0-30)
	Drying (° F/ ° C)	(62-90)/(17-32)
Outdoor Operation Temperature	Cooling (° F/ ° C)	(5-122)/ (-15-50)
	Heating (° F/ ° C)	(5-76)/(-15-24)
	Drying (° F/ ° C)	(32-122)/(0-50)
Accessories	Wireless controller	Standard – part No. RG05F2/BGEU1
	Wired controller (optional)	optional
	Line sets – insulated and flared.	TCP12/18L15, TCP12/18L25, TCP12/18L50.
Safety Certifications		ETL
Warranty		2 YEARS PARTS, 6 YEARS COMPRESSOR



NORTH AMERICAN HVAC PRODUCTS LTD

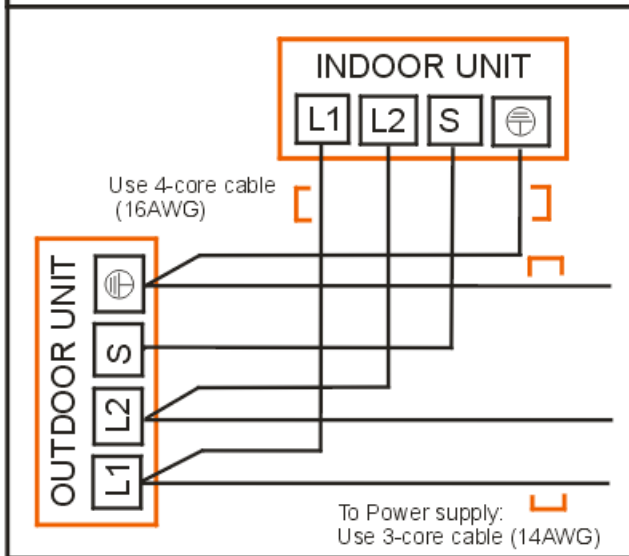
Tel: 604-4308496 Fax: 1-866-9034371 www.northamericanhvac.com



MODEL	UNIT: INCH						
	A	B	C	D	E	F	H
MOF-12HFN1-MS0W	29.92	20.86	11.41	12.40	10.63	11.22	23.28



Air Condition Link-Circuit



GENERAL FEATURES

- * Built in drain pump lifts condensate up to 29½ inches
- * Ultra-Quiet Operation
- * Random swing, airflow direction control
- * Self-Diagnostics, LCD display
- * Auto restart operation
- * Dehumidifier mode
- * Washable filter
- * Fresh air intake function.
- * Local service parts stock in BC, Canada

