



**Submittal Data: MCA2U-18HRFN1-M  
DC inverter HEAT PUMP CEILING CASSESTE INDOOR UNIT.**

**Job Name:** \_\_\_\_\_ **Location:** \_\_\_\_\_ **Date:** \_\_\_\_\_  
**Purchaser:** \_\_\_\_\_ **Engineer:** \_\_\_\_\_  
**Submitted To:** \_\_\_\_\_ **For:** \_\_\_\_\_ **Review( )** \_\_\_\_\_ **Approval ( )** \_\_\_\_\_



**Ceiling Cassette Model No. MCA2U-18HRFN1-M  
(WITH FRONT PANEL MODEL NO. T-MBQ4-03B4)  
Single Zone Outdoor Model No. MOF-18HFN1-MS0W**

**Specifications**

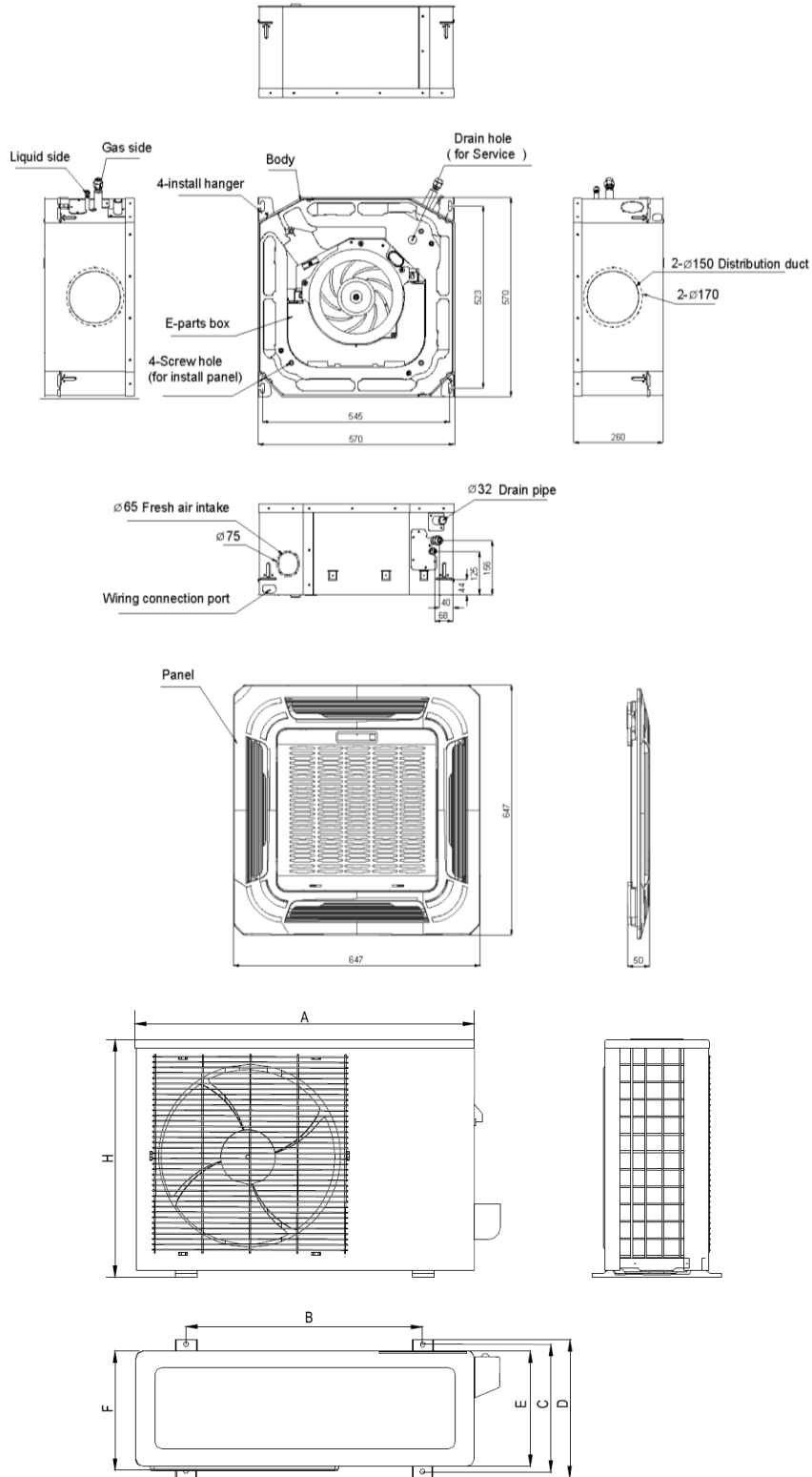
Performance	Cooling capacity (Btu/h)	18,000
	EER	8.8
	SEER	16.50
	Heating capacity (Btu/h)	18,400
	HSPF4	8.8
Power	HSPF5	7.2
	Voltage (V/Hz)	208-230 / 60/ 1 PHASE
	Indoor ceiling (power supplied by condenser)	
	Rated Current-cooling/heating (A)	9.2/8.74
	Circuit Breaker (A)	20
	Fuse (A)	14

Dimensions	W x H X D (inches)	
	Indoor	22½ x 22½ x 10¼
	Outdoor	33 1/4 x 12 5/8x 27 1/2
Weight	Fascia Panel	25½ x 25½ x 2
	Indoor (lbs)	40
	Outdoor	105
Noise level	Fascia Panel	5.5
	(Hi/Med/Lo) dB(A)	
	Indoor	51/46/40.5
Indoor air flow	Outdoor	60.5
	m³/h	680/580/480
	CFM	400/340/280
Outdoor air flow	m³ / h	2500
	CFM	1470
	Refrigerant	Type
	Fatory charge (oz)	58.2
	Charged for	25 feet
	Additional Refrigerant	Required. See installation manual
	Pipe Connections	Indoor and outdoor
	Max line set length feet	98
	Maz line set Elevation feet	66
	Oil trap	Yes
Drainage water pipe diameter	ODØ	ODØ25
Room Operation Temperature	Cooling (° F/ ° C)	( 62-90 ) / ( 17-32 )
	Heating (° F/ ° C)	( 32-86 ) / ( 0-30 )
	Drying (° F/ ° C)	( 62-90 ) / ( 17-32 )
Outdoor Operation Temperature	Cooling (° F/ ° C)	( 5-122 ) / ( -15-50 )
	Heating (° F/ ° C)	( 5-76 ) / ( -15-24 )
	Drying (° F/ ° C)	( 32-122 ) / ( 0-50 )
Low temperature heating capacity (2° C)	Btu/h	13,450
Low temperature heating capacity (-7° C)	Btu/h	11,460
Accessories	Wireless controller	Standard – PART No. RG05F2/BGEU1
	Wired controller (optional)	optional
	Line sets – insulated and flared.	TCP12/18L15, TCP12/18L25, TCP12/18L50.
	Safety Certifications	ETL
	Warranty	2 YEARS PARTS, 6 YEARS COMPRESSOR



# NORTH AMERICAN HVAC PRODUCTS LTD

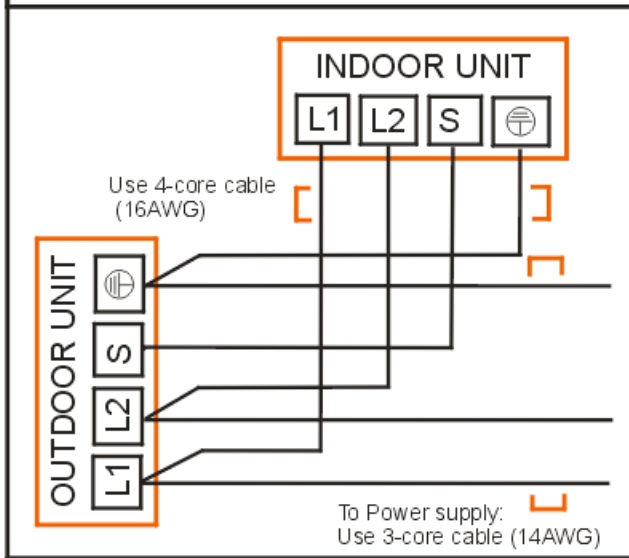
Tel: 604-4308496 Fax: 1-866-9034371 www.northamericanhvac.com



MODEL	UNIT: INCH						
	A	B	C	D	E	F	H
MOF-18HFN1-MS0W	33	22	13	14	12	12	27



## Air Condition Link-Circuit



### GENERAL FEATURES

- \* Built in drain pump lifts condensate up to 29½ inches
- \* Ultra-Quiet Operation
- \* Random swing, airflow direction control
- \* Self-Diagnostics, LCD display
- \* Auto restart operation
- \* Dehumidifier mode
- \* Washable filter
- \* Fresh air intake function.
- \* Local service parts stock in BC, Canada

