



**Submittal Data: MCD-24HRFN1-M**

**DC INVERTER HEAT PUMP CEILING CASSESTE INDOOR UNIT.**

**Job Name:** \_\_\_\_\_ **Location:** \_\_\_\_\_ **Date:** \_\_\_\_\_

**Purchaser:** \_\_\_\_\_ **Engineer:** \_\_\_\_\_

**Submitted To:** \_\_\_\_\_ **For:** \_\_\_\_\_ **Review( )** \_\_\_\_\_ **Approval ( )** \_\_\_\_\_



**Ceiling Cassette Model No. MCD-24HRFN1-M  
(WITH FRONT PANEL)**

**COMPATIBILITY:**

**Single Zone Outdoor Model No. MOU-24HFN1-M**

**FREE MATCH OUTDOOR MODELS: NO**

**Specifications**

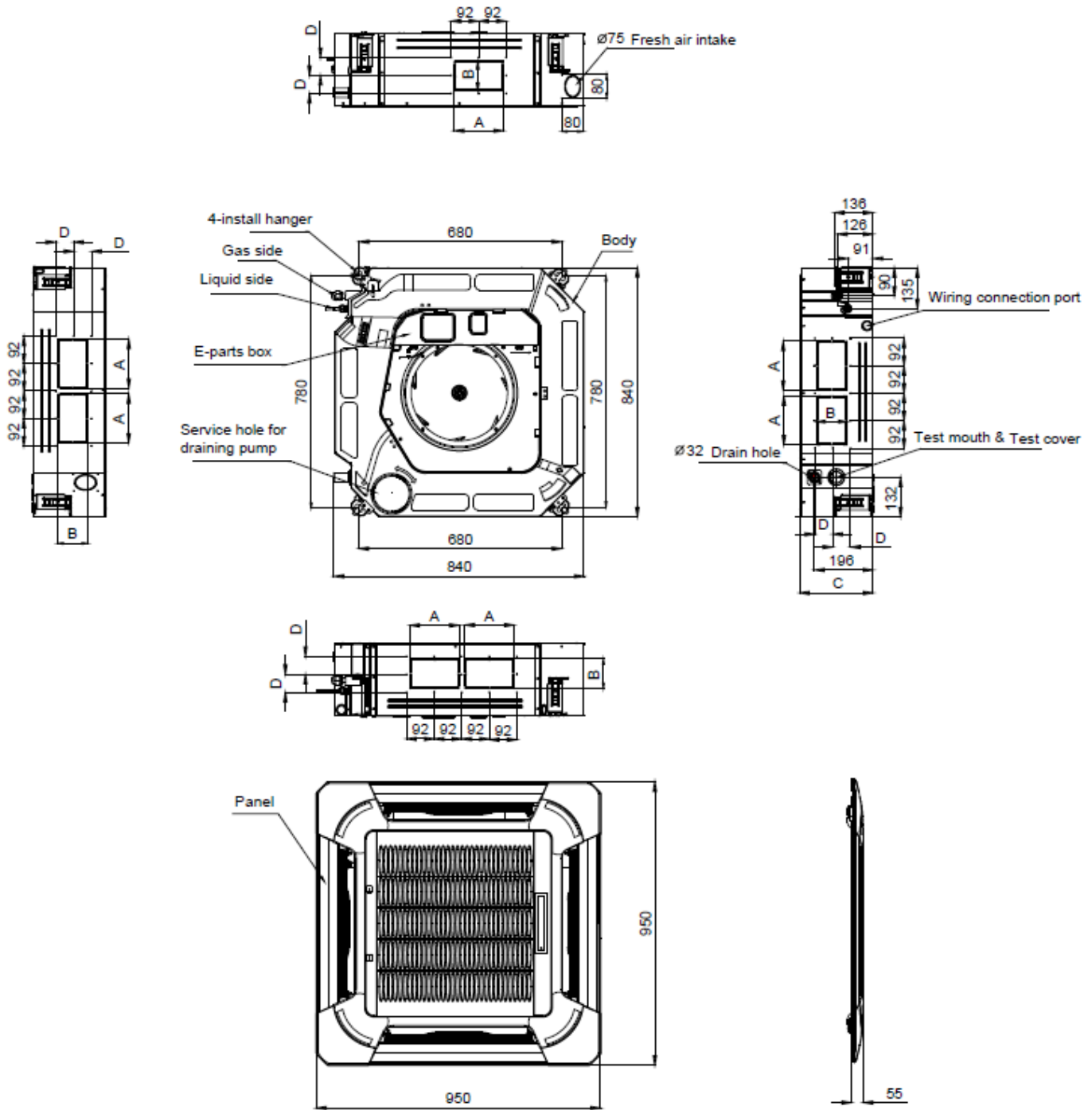
Accessories	Wireless controller	Standard – part No. RG05F2/BGEU1
	Wired controller (optional)	optional
	Line sets – insulated and flared.	TCP24L25, TCP24L50.
Safety Certifications		ETL
Warranty		2 YEARS PARTS, 6 YEARS COMPRESSOR

<b>Indoor Model</b>			<b>MCD-24HRFN1-M</b>
Indoor code			220042501060
<b>Outdoor Model</b>			<b>MOU-24HFN1-M</b>
Outdoor code			220075302060
Power supply		V-ph-Hz	208~230-1-60
Cooling	Capacity	Btu/h	23800
	EER	Btu/W	9.8
	SEER		15.8
Heating	Capacity	Btu/h	23800
	HSPF4		9.5
	HSPF5		7.2
Minimum circuit ampacity		A	2.5
Max.fuse		A	15
Indoor motor fan	Model		WZDK42-38G
	Qty		1
	Input	w	42
	RLA	A	2
	LRA	A	/
	Winding Resistance	Ω	/
	Capacitor	uF	/
	Speed(hi/mi/lo)	r/min	600/520/450
Indoor air flow (Hi/Med/Lo)		m <sup>3</sup> /h	1400/1250/1000
Indoor air flow (Hi/Med/Lo)		CFM	820/740/590
Indoor noise level (sound pressure) (Hi/Mid/Lo)		dB(A)	51/47/43
Throttle type			/
Indoor unit	Dimension (W x Dx H)(body)	mm	840x840x205
	Dimension (W x Dx H)(body)	inch	33.07x33.07x8.07
	Packing (W x Dx H)(body)	mm	900x900x225
	Packing (W x Dx H)(body)	inch	35.43x35.43x8.86
	Dimension (W x Dx H)(panel)	mm	950x950x55
	Dimension (W x Dx H)(panel)	inch	37.4x37.4x2.17
	Packing (W x Dx H)(panel)	mm	1035x1035x90
	Packing (W x Dx H)(panel)	inch	40.75x40.75x3.54
	Net/Gross weight(body)	kg	20.5/24
	Net/Gross weight(body)	lbs.	45.19/52.91
Net/Gross weight(panel)	kg	5/8	
Net/Gross weight(panel)	lbs.	11.02/17.64	
Design pressure		PSIG	550/340 PSIG
Drainage water pipe dia.		mm	ODΦ32
Refrigerant piping	Liquid side/ Gas side	mm	Φ9.52/Φ15.9(3/8"/5/8")
Controller			RG05F2/BGEU1
Room temperature	Cooling	°C	17~32
	Cooling	°F	62~90
	Heating	°C	0~30
	Heating	°F	32~86
Operation temperature		°C	17~30
		°F	62~86



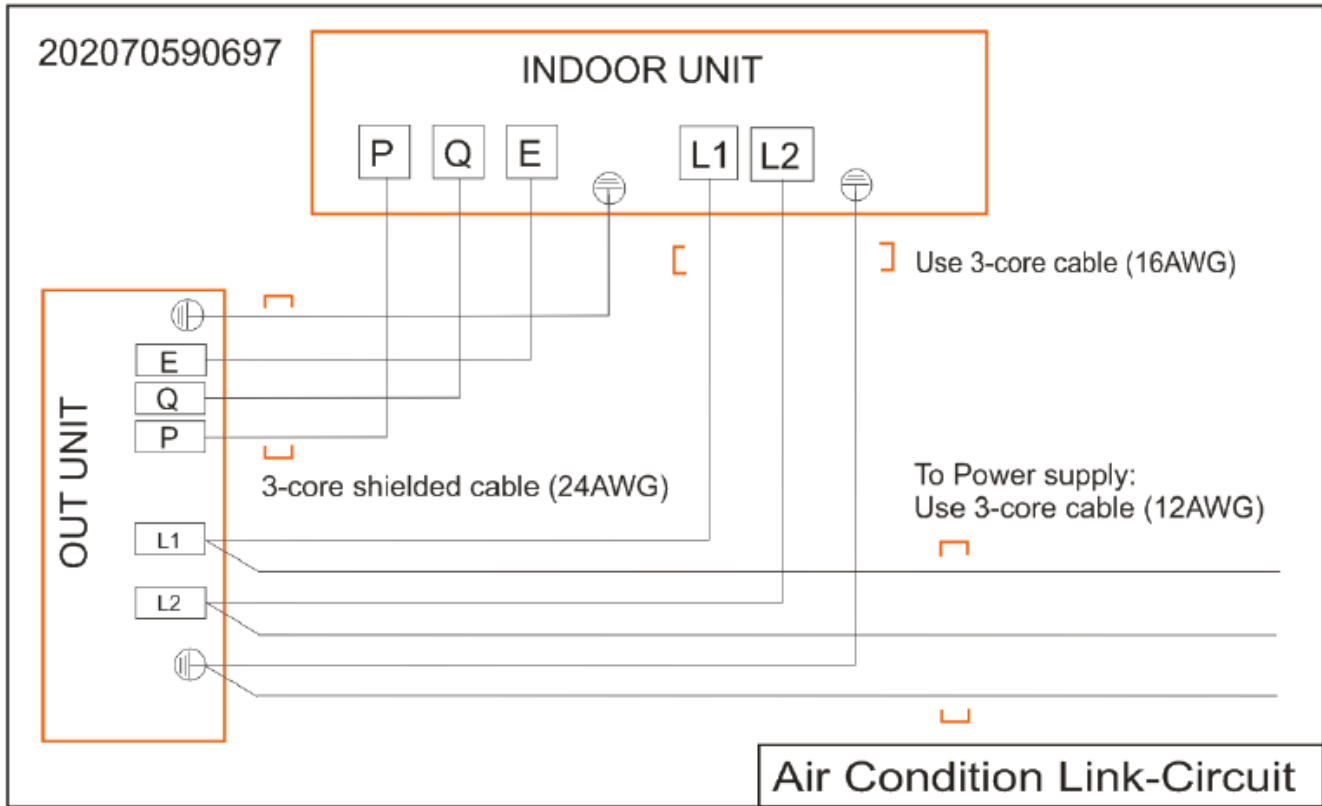
# NORTH AMERICAN HVAC PRODUCTS LTD

Tel: 604-4308496 Fax: 1-866-9034371 www.northamericanhvac.com





MCD-24HRFN1-M, MCD-36HRFN1-M, MCD-48HRFN1-M



## GENERAL FEATURES

- \* Built in drain pump lifts condensate up to 29½ inches
- \* Ultra-Quiet Operation
- \* Random swing, airflow direction control
- \* Self-Diagnostics, LCD display
- \* Auto restart operation
- \* Dehumidifier mode
- \* Washable filter
- \* Fresh air intake function.
- \* Local service parts stock in BC, Canada

