



**Submittal Data Model No. MTBU-18HRDN1-M
DC INVERTER DUCT SYSTEM 18,000BTU/H**

Job Name: _____ **Location:** _____ **Date:** _____
Purchaser: _____ **Engineer:** _____
Submitted To: _____ **For:** _____ **Review()** _____ **Approval ()** _____



Specifications

COMPABILTY:
SINGLE ZONE OUTDOOR LIGHT COMMERCIAL MODEL
NO. MOC-18HFN1-MSOW

FREE MATCH OUTDOOR MODELS:
M2OC-18HRDN1-M, M2OC-18HFN1-M (TWO ZONE
OUTDOOR SYSTEM)
M3OD-27HRDN1-M (THREE ZONE OUTDOOR SYSTEM)
M4OC-36HFN1-M (FOUR ZONE OUTDOOR SYSTEM)

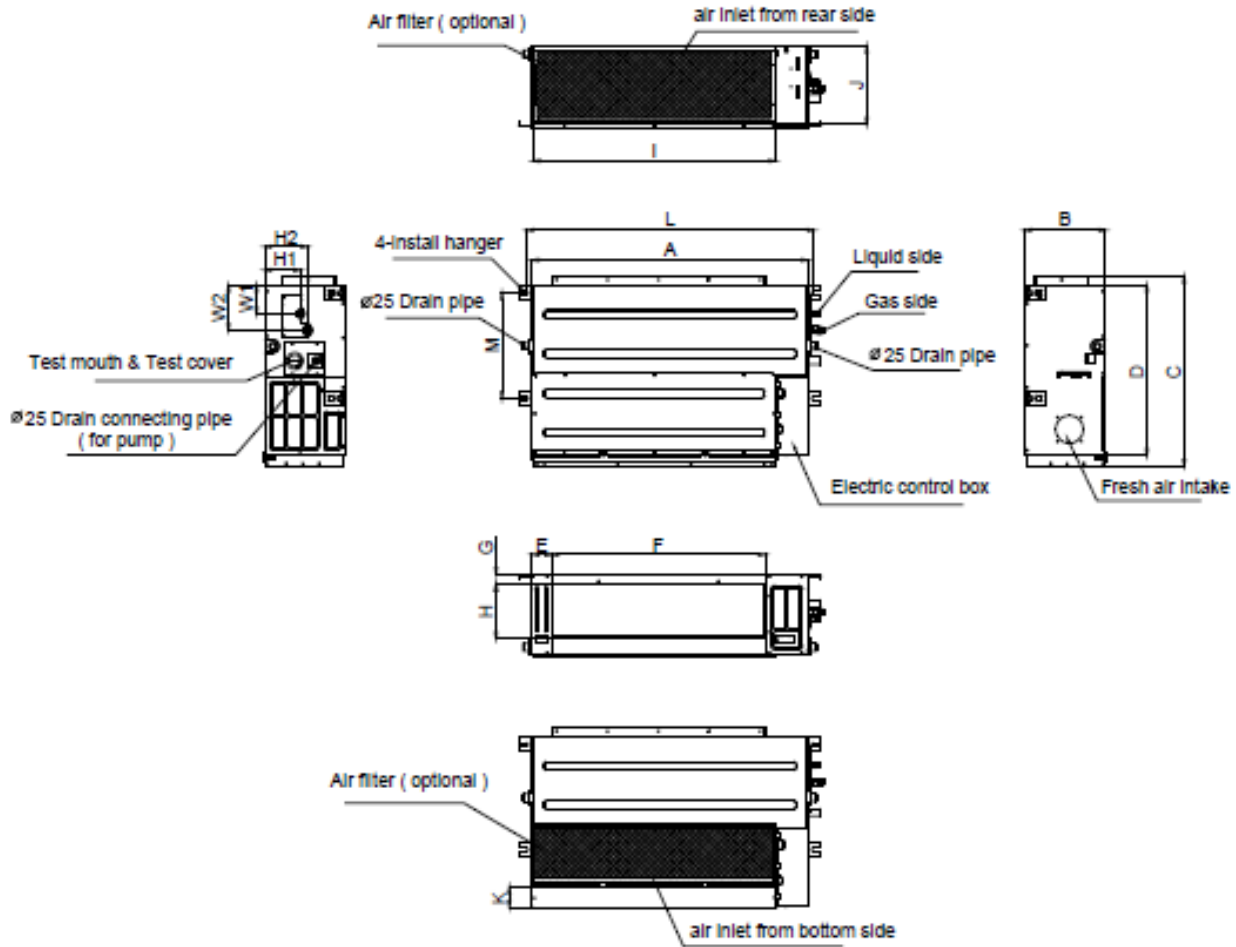
Accessories	Line sets – insulated and flared.	TCP12/18L15, TCP12/18L25, TCP12/18L50.
Safety Certifications		ETL
Warranty		2 YEARS PARTS, 6 YEARS COMPRESSOR

Indoor Model		MTBU-18HRDN1-M	
Indoor code		220070201620	
Outdoor Model		MOF-18HFN1-MSOW	
Outdoor code		220037804670	
Power supply		V-ph-Hz	208-230~1-60
Cooling	Capacity	Btu/h	18000
	EER	Btu/W	9
	SEER		15.5
Heating	Capacity	Btu/h	18600
	HSPF4		8.6
	HSPF5		7.2
Minimum circuit ampacity		A	1.9
Max.fuse		A	15
Indoor fan motor	Model		YSK68-4B
	Qty		1
	Input	W	119/56/43
	RLA	A	1.5
	LRA	A	0.66
	Winding Resistance	Ω	145/88
	Capacitor	uF	3.5UF/450V
Speed	r/min	1170/790/690	
Indoor air flow (Hi/Med/Lo) (No duct)		m ³ /h	820/750/680
Indoor air flow (Hi/Med/Lo) (No duct)		CFM	480/440/400
ESP	Rated	Pa	25
	Range	Pa	0-60
Indoor noise level (Hi/Med/Lo)		dB(A)	40/35/30
Throttle type			/
Indoor unit	Dimension (WxDxH)	mm	920x635x210
	Dimension (WxDxH)	inch	36.22x25x8.27
	Packing(WxDxH)	mm	1135x655x290
	Packing(WxDxH)	inch	44.68x25.79x11.42
	Net/Gross weight	kg	22.5/27.5
		lbs.	49.6/60.63
Design pressure		PSIG	550/340 PSIG
Drainage water pipe diameter		mm	ODΦ25
Refrigerant piping	Liquid side/ Gas side	mm	Φ9.52/Φ15.9(3/8"/5/8")
Controller			KJR-12B/DP(T)-F
Room temperature	Cooling	°C	17~32
	Cooling	°F	62~90
	Heating	°C	0~30
	Heating	°F	32~86
Operation temperature		°C	17~30
		°F	62~86



NORTH AMERICAN HVAC PRODUCTS LTD

Tel: 604-4308496 Fax: 1-866-9034371 www.northamericanhvac.com

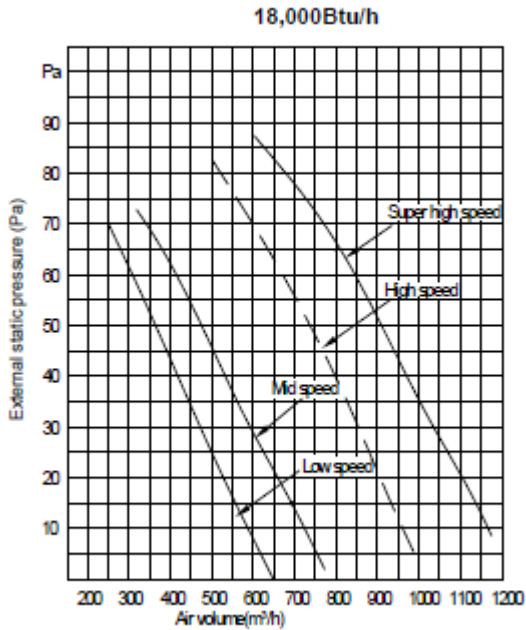


Note: standard product without filter Unit: mm

Capacity(KBtu/h)	Outline dimension(mm)				Air outlet opening size				Air return opening size			Size of install hanger		Size of refrigerant pipe			
	A	B	C	D	E	F	G	H	I	J	K	L	M	H1	H2	W1	W2
12	700	210	635	570	65	493	35	119	595	200	80	740	350	120	143	95	150
18	920	210	635	570	65	713	35	119	815	200	80	960	350	120	143	95	150
24	920	270	635	570	65	713	35	179	815	260	20	960	350	120	143	95	150
36	1140	270	775	710	65	933	35	179	1035	260	45	1240	500	120	143	95	150
48	1200	300	865	800	80	968	40	204	1094	288	45	1240	500	175	198	155	210

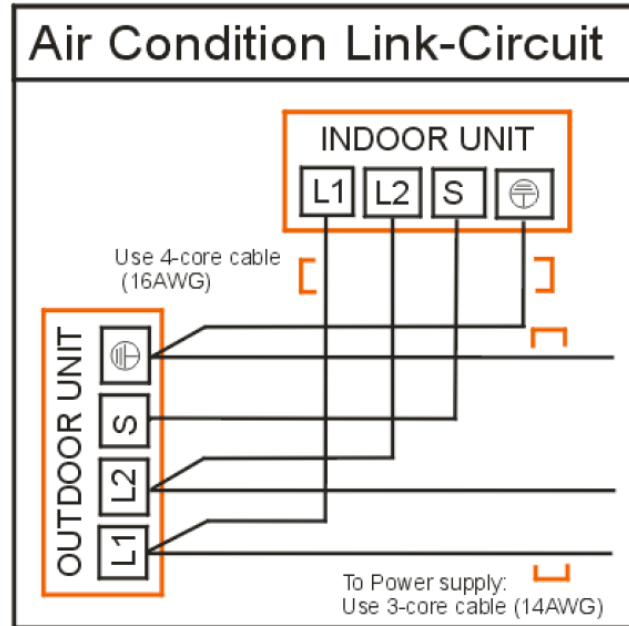


Static Pressure



Field Wiring

MTBU-12HRDN1-M, MTBU-12HRDN1-M(B), MTBU-18HRDN1-M, MTB-24HRFN1-MW



GENERAL FEATURES

- * Built in drain pump lifts condensate up to 29½ inches
- * Fresh air intake function.
- * Ultra-Quiet Operation
- * Easy service for replacing the motor or centrifugal fan
- * Built-in display board
- * Self-Diagnostics, LCD display
- * Auto restart operation
- * Dehumidifier mode
- * Washable filter
- * Local service parts stock in BC, Canada

