

OUTDOOR UNIT INSTALLATION

Outdoor installation precaution

- Install the outdoor unit on a rigid surface such as a concrete slab to prevent excessive noise and vibration.
- Ensure that the discharge air outlet is not obstructed by any nearby objects such as walls, fencing, or landscaping (shrubs, trees, etc.).
- If the installation location allows the unit to be exposed to strong winds, ensure that the unit has a barrier from the wind. See figure 1. This will assist with the proper operation of the fan by obstructing strong gusts of wind from entering the unit's cabinet.

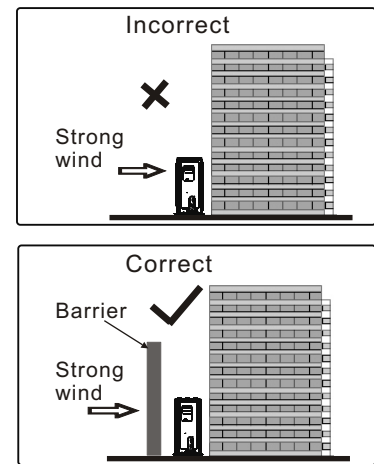


Fig.1

Select the installation place

- If an awning is built over the outdoor unit to prevent direct sunlight or rain exposure, ensure that heat from the condenser is not restricted.
- Ensure that the clearance around the back of the unit is more than 30cm and left side is more than 30cm. The front of the unit should have more than 200cm of clearance and the refrigerant connection side(right side) should have more than 60cm of clearance.
- Do not allow plants or animals to interfere with the path of the air from the inlet or outlet of the unit, see Fig.2. The air inlets and outlets must not be obstructed.

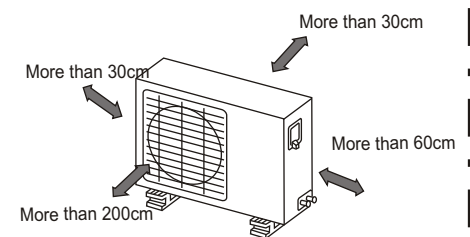


Fig.2

Rooftop installation

- If the outdoor unit is installed on a rooftop, be sure to level the unit.
- Ensure the roof's structure and unit's anchoring are adequate for the location.
- Consult local codes regarding rooftop mounting.
- If the outdoor unit is installed on rooftops or external walls, this may result in excessive noise and vibration.

Anchoring the outdoor unit

- Anchor the outdoor unit with a 10mm (3/8 inch) diameter bolt and nut tightly on a concrete or rigid surface. Fig.3.

Outdoor unit dimension mm(WxHxD)	Mounting dimensions	
	A(mm)	B(mm)
760x590x285	530	290
845x695x335	560	335
895x860x330	590	333

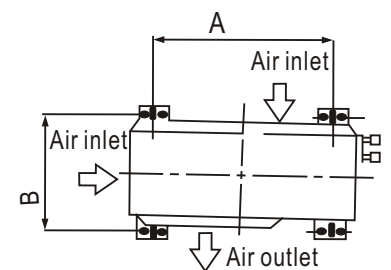


Fig.3

OUTDOOR UNIT WIRING CONNECTION

NOTE: The supply voltage must be consistent with the rated voltage of the air conditioner.

Suggest Minimum Wire Size (AWG:American Wire Gage):

Model	Power supply	Plug socket and Fuse rating
<18K Btu/h	60Hz/ 208-230V~	20/16A
≥18K Btu/h		32/25A

Appliance Amps	AWG Wire Size
10	18
13	16
18	14
25	12
30	10

CAUTION Always consult local and national electric codes.

1. Remove the electrical control cover from the outdoor unit.
2. Connect the cables to the terminals as identified with their respective designated terminal spaces on the terminal block of indoor and outdoor units. The cable to power supply shall be approved polychloroprene sheathed flexible cord, type 245 IEC 57(H07RN-F) or heavier cord.
3. To prevent the entrance of water into outdoor unit, form a loop in the cable as illustrated in Fig.4.
4. Insulate any unused conductors with PCV/Electrical tape, so that they do not touch any other exposed electrical or metal parts.

CAUTION

Incorrect wiring connections may cause electrical parts to malfunction. All wiring must comply with local and national electrical codes and be installed by qualified and skilled electrician.

Fig.4

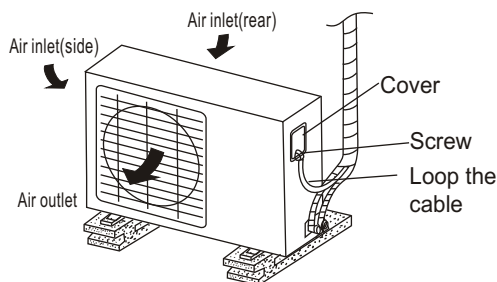
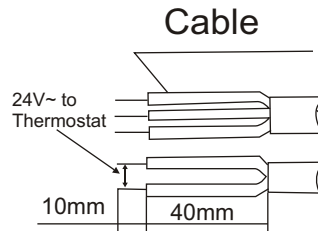
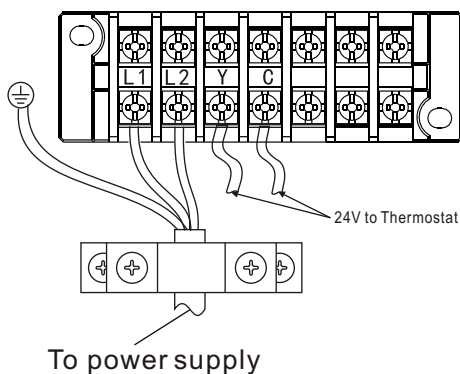


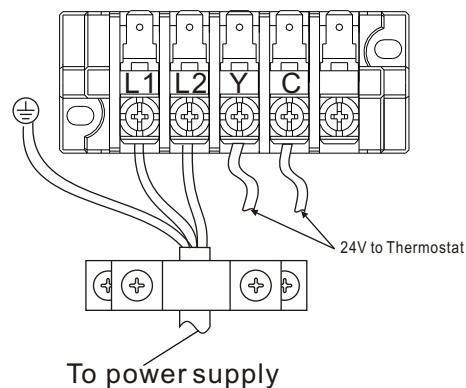
Fig.5



Terminal block of outdoor unit



<18K Btu/h model



≥18K Btu/h model

NOTE: Please refer to the installation instructions of the 24V thermostat used in conjunction with this unit for additional wiring instructions.

North American HVAC Products Ltd.

Tel: 1-604-430-8496

Fax: 1-866-903-4371

E-mail: info@northamericanhvac.com

3208 Beta Ave, Burnaby, BC, Canada V5G 4K4